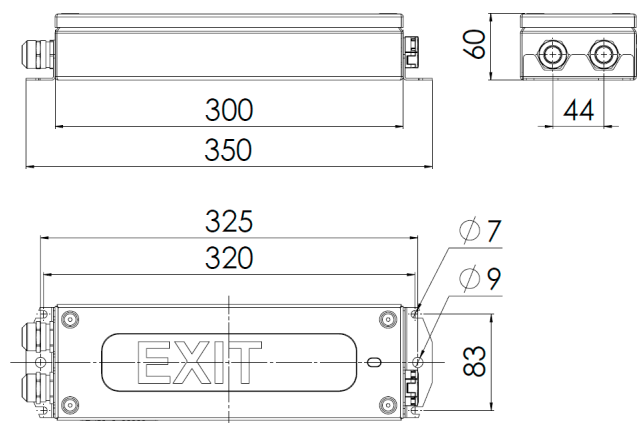




STAINLESS STEEL WATERTIGHT SIGN LIGHT  
WITH BATTERY BACKUP






[mm]

MB5.122.0005.00

## STANDARD CONFIGURATION

Housing	Stainless steel, powder coated white (RAL9016)
Mounting	2 holes, $\varnothing$ 9 mm
Cable entry	2 cable glands
Protection class	IP66/67
Light source	LED module
Wattage	5 W
Emergency	min. 3h BU
CCT (color)	4,000 K
CRI	$\geq$ 80

## AVAILABLE FEATURES

	EMI proof
	Shock proof
	Vibration resistant

## YOUR REQUIREMENTS

Please contact us for different configurations or further information on this luminaire type. Based on your requirements, the final part number will be provided.