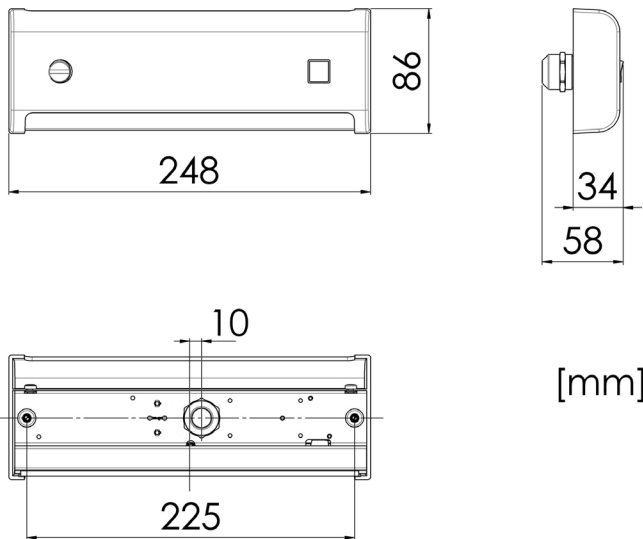







SLIM BERTH LIGHT WITH SWITCH AND DOUBLE USB CHARGING PORT FOR CABINS



## STANDARD CONFIGURATION

Housing/Cover	Black or white polycarbonate with opal diffuser
Specials	2 USB A charging ports
Mounting	2 holes, Ø 5 mm
Cable entry	1 cable gland
Protection class	IP20
Light source	Linear LP LED module
Wattage	3 W
Luminous flux	250 lm
CCT (color)	3,000 K
CRI	≥ 80

## AVAILABLE FEATURES

	EMI proof
	Shock proof
	Vibration resistant

## YOUR REQUIREMENTS

Please contact us for different configurations or further information on this luminaire type. Based on your requirements, the final part number will be provided.