

BERTH LIGHT WITH SWITCH AND SWIVELING REFLECTOR FOR CABINS AND ACCOMODATION AREAS

### STANDARD CONFIGURATION

|                  |   |
|------------------|---|
| Housing          | Galvanized steel, powder coated white (RAL9016) |
| Reflector        | Galvanized steel, powder coated white (RAL9016) |
| Mounting         | 2 holes, Ø 5.5 mm                               |
| Cable entry      | 2 EMC grommets                                  |
| Protection class | IP20  |
| Lamp base        | E27   |
| Wattage          | Max. 40W  |

### AVAILABLE FEATURES



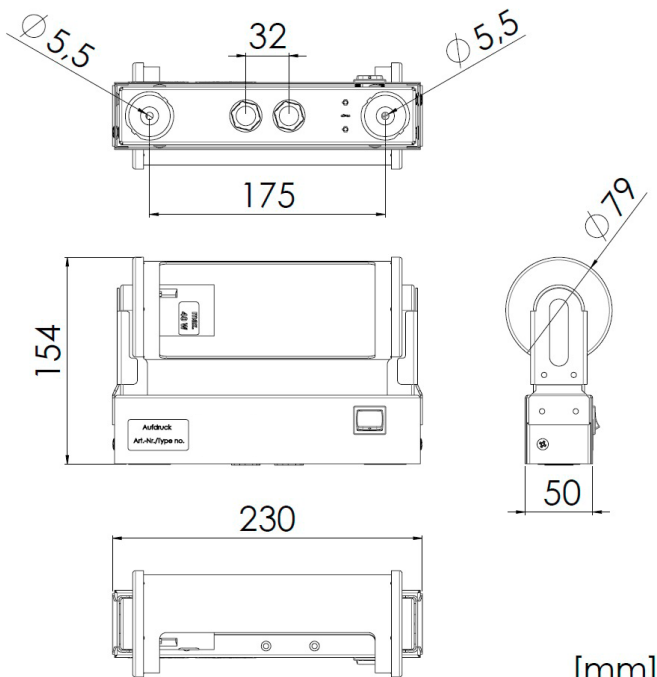
Shock proof



Vibration resistant

### YOUR REQUIREMENTS

Please contact us for different configurations or further information on this luminaire type. Based on your requirements, the final part number will be provided.



[mm]

MB6.117.0003.02

Technical modification reserved without prior notice.



LIGHTPARTNER LICHTSYSTEME GMBH & CO. KG  
AM MOHRENSHOF 7 · 28277 BREMEN · GERMANY  
+49 (0)421 - 87 195 - 0 · SALES@LIGHTPARTNER.DE

# LIGHTPARTNER NAVY