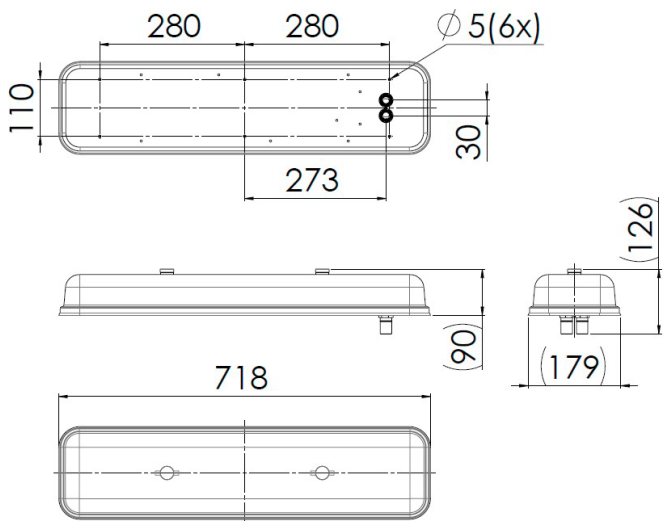


KR61Z



SURFACE LUMINAIRE FOR GALLEYS, PROVISION STORES AND COLDROOMS







[mm]

MB6.107.0006.00

STANDARD CONFIGURATION

| | |
|------------------|---|
| Base plate | Stainless steel |
| Cover | Clear polycarbonate, impact-proof, UV resistant |
| Mounting | 6 holes, Ø 5.2 mm |
| Cable entry | 2 cable glands |
| Protection class | IP56 / IP67 |
| Light source | Linear LP LED modules with anti-glare cover |
| Wattage | Max. 20W |
| Luminous flux | 2,200 lm |
| CCT (color) | 4,000 K |
| CRI | ≥ 80 |

AVAILABLE FEATURES

| | |
|---|---------------------|
|  | EMI proof |
|  | Shock proof |
|  | Vibration resistant |
|  | Multi-circuit |

YOUR REQUIREMENTS

Please contact us for different configurations or further information on this luminaire type. Based on your requirements, the final part number will be provided.