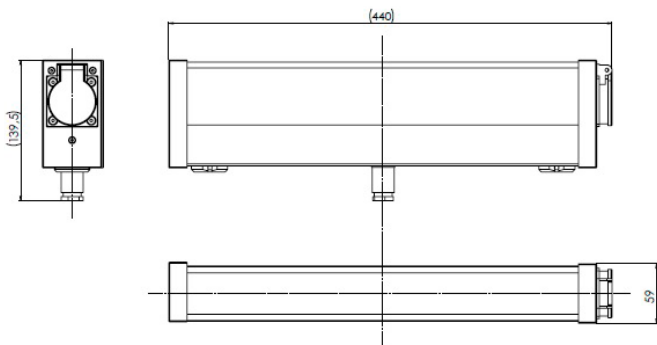




MIRROR LUMINAIRE FOR CABINS, WET UNITS
AND SANITARY AREA






[mm]

STANDARD CONFIGURATION

Housing/Cover	Galvanized steel, powder coated white (RAL9016), with opal polycarbonate diffuser
Mounting	2 holes, \varnothing 5.5 mm
Cable entry	1 cable gland
Protection class	IP44
Light source	Linear LP LED module
Wattage	10 W
Luminous flux	1,100 lm
CCT (color)	3,000 K
CRI	\geq 80

AVAILABLE FEATURES

	EMI proof
	Shock proof
	Vibration resistant

YOUR REQUIREMENTS

Please contact us for different configurations or further information on this luminaire type. Based on your requirements, the final part number will be provided.